

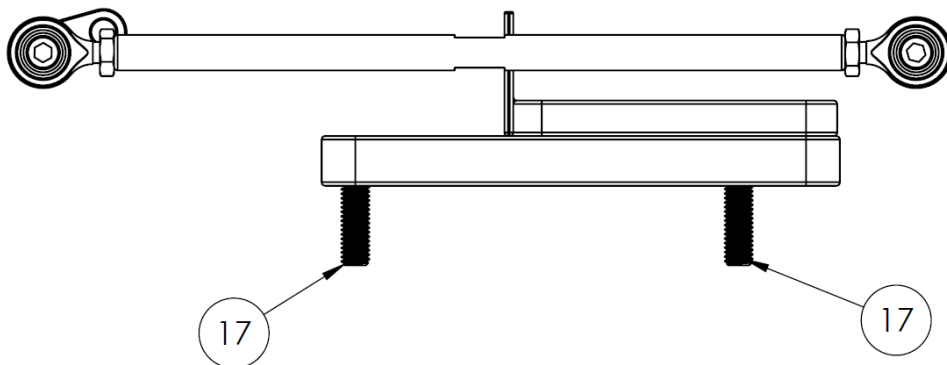
PROFLOW

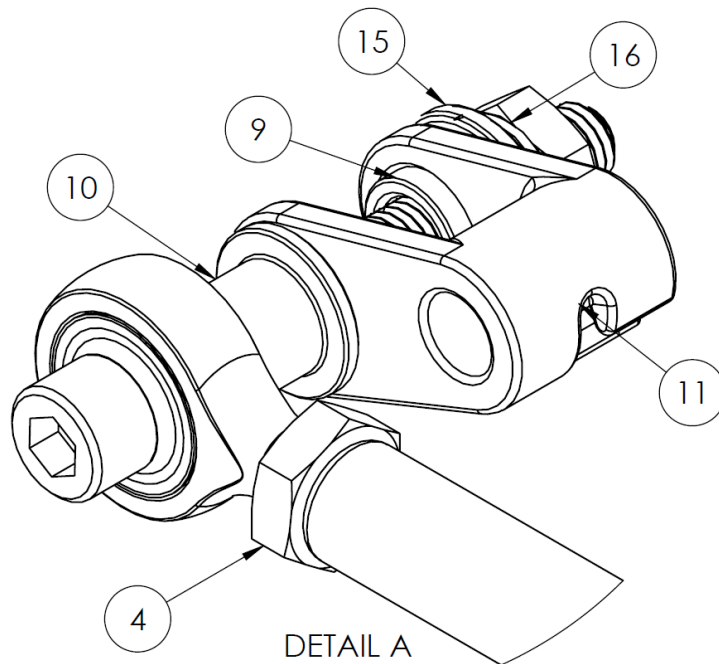
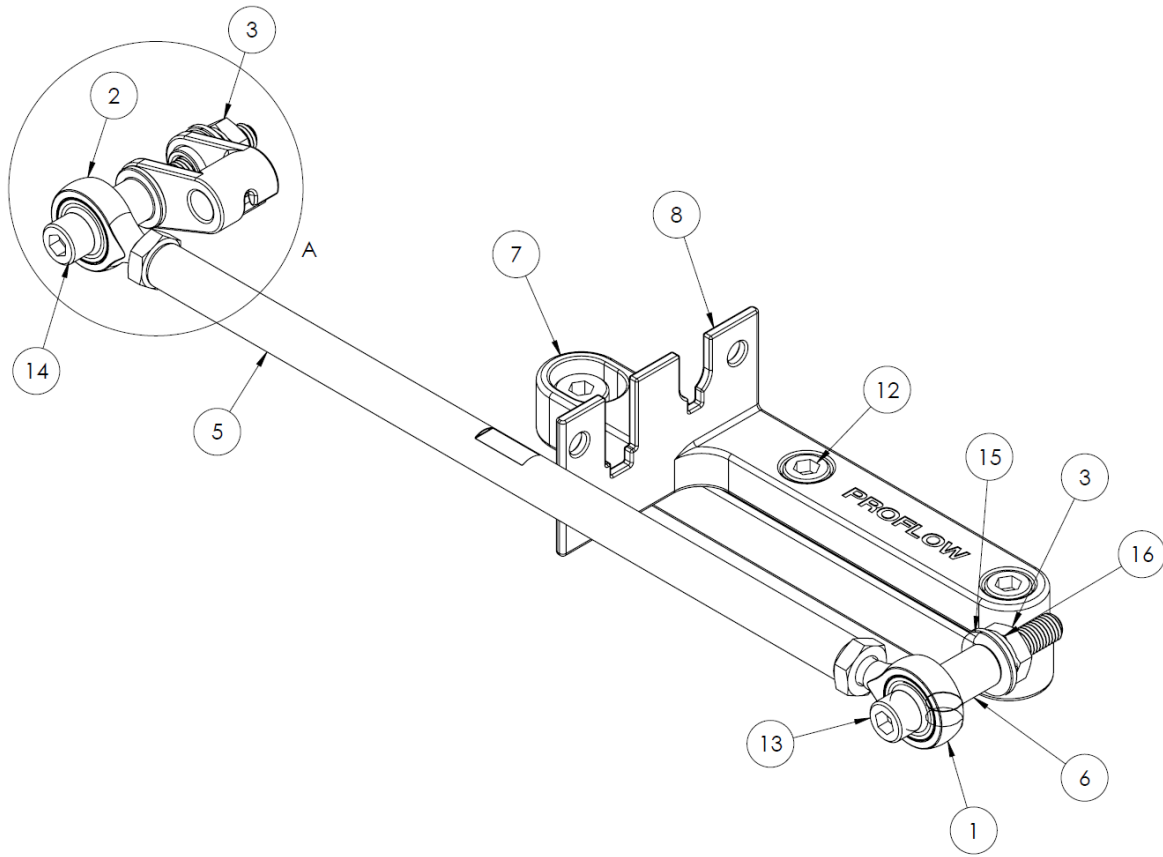
PFEM6950 Assembly Instructions

**PLEASE REFER TO THE BELOW DIAGRAMS WHEN ASSEMBLING THE TWIN
4150/4500 THROTTLE LINKAGE KIT**

| ITEM NO. | DESCRIPTION | QTY. |
|----------|--|------|
| 1 | PFER-AMR4 Rod End Loaded-Slot Male Right 1/4-1/4'-28 Stainless Steel | 1 |
| 2 | PFER-AML4 Rod End Loaded-Slot Male left 1/4-1/4'-28 Stainless Steel | 1 |
| 3 | PFER-JSR4 1/4"-28 Right Hand Thread Rod End Jam Nut Stainless Steel ASME B18.2.2 | 3 |
| 4 | PFER-JSL4 1/4"-28 Left Hand Thread Rod End Jam Nut Stainless Steel ASME B18.2.2 | 1 |
| 5 | PFEM6950 Rod | 1 |
| 6 | PFEM6950 Spacer | 1 |
| 7 | PFEM6950 Cable Guide Holder | 1 |
| 8 | PFEM7560 Throttle Cable Bracket | 1 |
| 9 | PFEM6950 Bushing | 1 |
| 10 | PFEM6950 Bushing Spacer | 1 |
| 11 | PFEM6950 Cable Connector | 1 |
| 12 | M6x16mm Cap Head Hexagon Socket Drive Screw A2 Stainless Steel ISO 4762 | 2 |
| 13 | 1/4"-28 x 1-3/4" Socket Head Cap Screw UNS30400 ASME B18.3 | 1 |
| 14 | 1/4"-28 x 2" Socket Head Cap Screw UNS30400 ASME B18.3 | 1 |
| 15 | 1/4" Type A Flat Washer UNS30400 ASME B18.21.1 | 2 |
| 16 | 1/4" Regular Helical Spring Lock Washer UNS30400 ASME B18.21.1 | 2 |
| 17 | 5/16"-18 x 1" Socket Head Cap Screw UNS30400 ASME B18.3 | 2 |

- **Suit PROFLOW manifolds #PFEM63237, #PFEM63247, #PFEM63257, #PFEM64241, #PFEM64242 #PFEM64245, #PFEM64243**
- **Suit PROFLOW Quad Throttle body #PFEQTB1000, #PFEQTB1000B**





DETAIL A
SCALE 2 : 1